

## B4X-TEMDIS

*smart-house temperature controller with display*

*Developed to fit into wall socket from Fuga, NICO an Bticino*

*Shows current room temperature*

*Shows outdoor temperature*

*Turns on/off heating and cooling*

*Set wanted room temperature*

*Energy Save through night setback temperature*

*Channel Programming using BGP-COD-BAT*

*The use of floor sensor is optional*

*Delivered with pre-programmed address on I/O 2*

*Delivered with both white and charcoal grey pushbutton covers*

*Non-activated inputs and backlight indicated by orange light*

*Orange LED can be de-activated by an internal dip switch*

*Activated inputs indicated by blue light*



### GENERAL SPECIFICATIONS

<b>Channel programming</b>	By BGP-COD-BAT and special cable: GAP-TPH-CAB. After mounting, reprogramming can be done by removing the slim pushbutton cover and pull the switch element with a pair of pointed pliers (see drawing next page), and connect the cable to the connector on the back of the switch element.
<b>No. of channels</b>	2 needed + 3 Optional
<b>Channel assignment</b>	I/O 1: Not programmed I/O 2: Pre-programmed to address B2 I/O 3: Not programmed

	I/O 4: Not programmed I/O 5: Not programmed
<b>Enclosure</b>	Aurora 44 x 44 mechanics
<b>Environment</b>	
Degree of protection	IP 20
Pollution degree	3 (IEC 60664)
Operating temperature	0° to +50°C (32° to +122°F)
Storage temperature	-20° to +70°C (-4° to +158°F)
<b>Humidity</b> (Non condensing)	20 - 80%
<b>Weight</b>	50 g
<b>Dimensions</b>	
Aurora (WxHxD)	44 x 44 x 26 mm
<b>Max. wire in terminals</b>	Max. 2 x 0.75 mm <sup>2</sup>

### SUPPLY SPECIFICATIONS

<b>Power supply</b>	Supplied by smart-house
<b>Consumption (typical)</b>	
Activated (guidelight OFF)	1.5 mA
Activated (guidelight ON)	2 mA
Not activated (guidelight OFF)	0.6 mA
Not activated (guidelight ON)	1.1 mA

### TYPE SELECTION

<b>Supply</b>	<b>Ordering no.</b>
By smart-house bus	B4X-TEMDIS
	Delivered with both white and charcoal grey pushbutton covers. Frame not included.
	Floor sensor BSO-TEMDIG is not included.

### INPUT SPECIFICATIONS

<b>Sensor</b>	1 integrated temperature sensor
<b>Range</b>	0 - 50°C (32 - 122°F)
<b>Precision</b>	± 1°C
<b>Floor sensor</b>	<b>(not included)</b>
Temperature range	0 - 50°C (32 - 122°F)
Cable length	4 m
Cable consists of 4 wires:	
Brown	Connect to “+” on Temperature controller
White	Connect to “c” on Temperature controller
Yellow	Connect to “d” on Temperature controller
Green	Connect to “1” on Temperature controller
See wiring diagram	

The floor sensor is an active 4-wire sensor and will only work together with the temperature controller unit.

# Aurora Temperature Controller



## Mode of Operation

### Channel Programming

Using the BGP-COD-BAT programming unit, each of the 5 channels on the temperature controller can be assigned any address between A1 and P8. The programming socket can be accessed by removing the front of the housing. The allocation of the channels are as follows:

I/O	Description
Temperature Control / Needed I/Os	
1	Split I/O
2	DataLink Synchronization input
Optional I/Os	
3	Analink room temperature output
4	Floor temperature Analink output
5	Floor temperature Alarm High temperature output

**\* Note:** If a description of the heating/cooling outputs is required, please consult the manual for the smart-house controllers BH8-CTRLX-230, BH8-CTRLZ and BH8-CTRLG. See paragraph 2.3.5 Please note that the unit can be programmed to both cooling and heating, but the mode required has to be selected on the display. For instance, cooling control can be selected during the summer and heating control during the winter.

The temperature controller works with both floor sensor and Room sensor. It is possible to enter the smart-house controller software to change / program which sensor is used (or both), together with the Temperature controller.

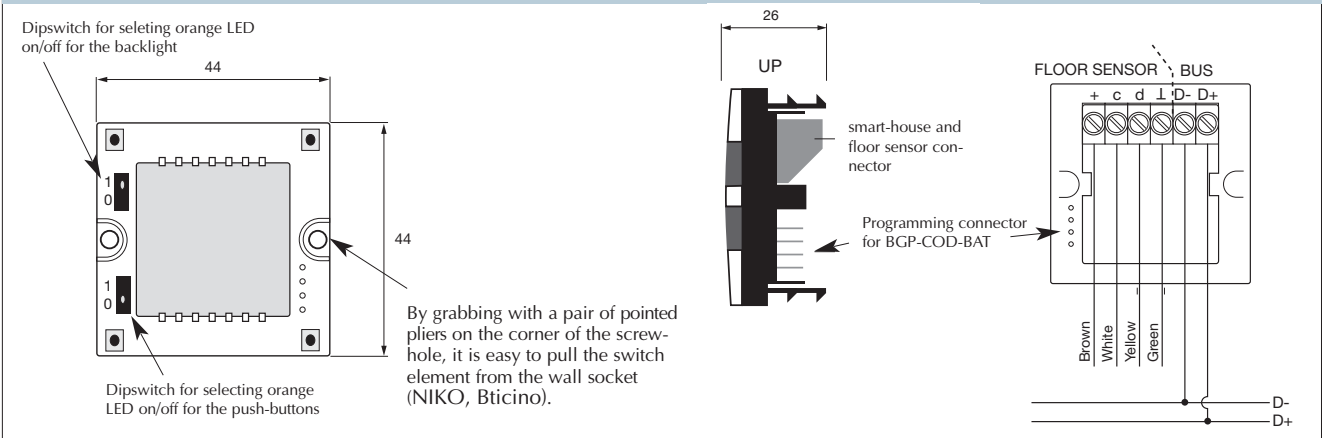
The switch has two colours of LEDs: Non-activated (orange LED). Activated (Blue LED). The orange LED for both switches and display can be de-activated by two internal dipswitches.

### Symbol description:

On the display the following five symbols are used.

- Temperature symbol 2, indicates that the outdoor temperature is currently shown on the display.
- Heat symbol, indicating that a heat application is currently selected. When the symbol is blinking, the unit is heating. When the symbol is steady, Heat mode is selected.
- Frost symbol, indicating that a cooling application is currently selected. When the symbol is blinking, the unit is cooling. When the symbol is steady, Cooling mode is selected.
- Sun symbol, indicating that the current application is running in normal mode.
- Moon symbol, indicating that the current application is running in night setback mode.  
**Note:** When the temperature controller is in “normal” mode, the user is able to override this mode by selecting “night setback” in the option menu.
- Frost protection

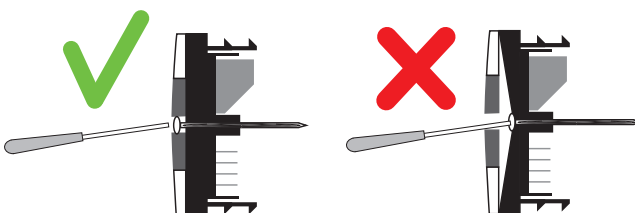
## WIRING DIAGRAM / DIMENSIONS



## MOUNTING OF FUGA

**NOTE:** When using the Fuga type, use the standard screws for Fuga to attach the unit into the wall box.

**IMPORTANT: Be careful not to overtighten!**



## ACCESSORIES

Programming cable to BGP-COD-BAT	GAP-TPH-CAB
Floorsensor	BSO-TEMDIG
Frame baseline (Fuga only)	white 40417
	charcoal grey 40460-1