

BFW-WLS4

- smart-house transmitter for building automation applications**
- 4 individually programmable pushbuttons**
- 3 V battery supply (CR2032)**
- Channel programming using BGP-COD-BAT**
- Wall mounting**
- Range up to 100 m in open air**
- Battery life: up to 5 years at normal use**



INPUT SPECIFICATIONS

Wireless push-button
Transmission frequency 868 MHz

SUPPLY SPECIFICATIONS

Power supply Battery: CR2032

GENERAL SPECIFICATIONS

Channel coding Via GAP 1605 and special cable: GAP-TPH-CAB. Following installation, the programming can be changed by removing the thin cover between the push-buttons and using the supplied adapter for the GAP-TPH-CAB cable.

Out 1-4 Push-button 1-4

Enclosure (LK FUGA)

Environment
 Protection degree IP 20
 Pollution degree 3 (IEC 60664)
 Operating temperature 0-50°C/32-122°F
 Storage temperature -20-70°C/-4-158°F

Humidity (non-condensing) 20 - 80%

Weight 50 g – without battery

Dimensions 50 x 50 x 11 mm (including frame)

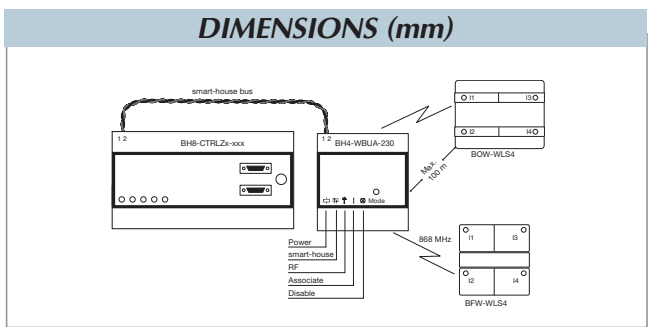
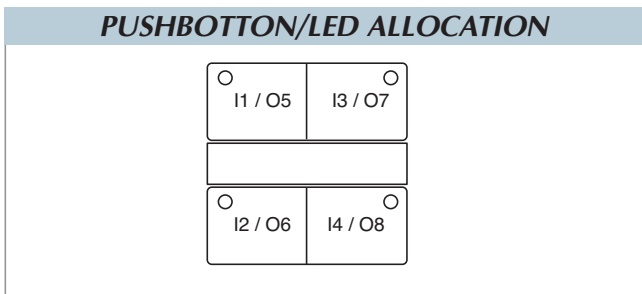
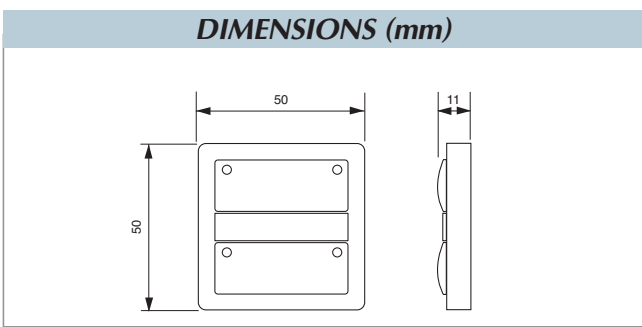
MODE OF OPERATION

The BFW-LS4 light switch is designed for base unit BH4-WBU-230 and will only function with this unit. The wireless BFW-LS4 light switches are programmed as standard light switches G8x10 44xx using a GAP 1605 (see data sheet for this unit). The communication between BFW-LS4 light switches and the BH4-WBU-230 base is established in the following way:
 - Push the "Mode" button on the BH4-WBU-230 base until the red

LED indicates association.
 - Push the push-button on the BFW-LS4 light switch module that you want to associate with the BH4-WBU-230 base. Once the association is complete, all 4 LEDs will light up briefly (approx. 1 second). If the association fails, e.g. because the range is exceeded, all LEDs in the light switch module will light up simultaneously for approx. 500 ms. This also occurs if, under normal circumstances, it is not possible to estab-

lish connection between the BH4-WBU-230 base and the BFW-LS4 light switch modules. It is possible to disable the communication between the BH4-WBU-230 base and all the modules with which it is associated.
 - Push the "Mode" button on the base until the red "Disable" LED is lit. This means that there is no connection between the BH4-WBU-230 base and its associations. To reestablish the connection, push "Mode" until neither

"Associate" or "Deactivate" are lit. Under normal circumstances, the "Supply" and "Dupline" LEDs will be lit continuously, whereas the LED for "Communication" only blinks briefly when you push an associated BFW-LS4 light switch. The LEDs always follow their allocated push-button and cannot be programmed individually or removed. The LED indication provides confirmation that the communication is successful.



TYPE SELECTION

| Supply | Colour | Ordering no. |
|----------------|---------------|--------------|
| Battery supply | White | BFW-WLS4 |
| | Light grey | BFG-WLS4 |
| | Charcoal grey | BFA-WLS4 |

No frame included

ACCESSORIES

| | |
|---|-------------|
| Programming cable to BGP-COD-BAT | GAP-TPH-CAB |
| Frame Baseline | White 40417 |
| | Grey 40414 |
| Charcoal Grey | 40430-1 |